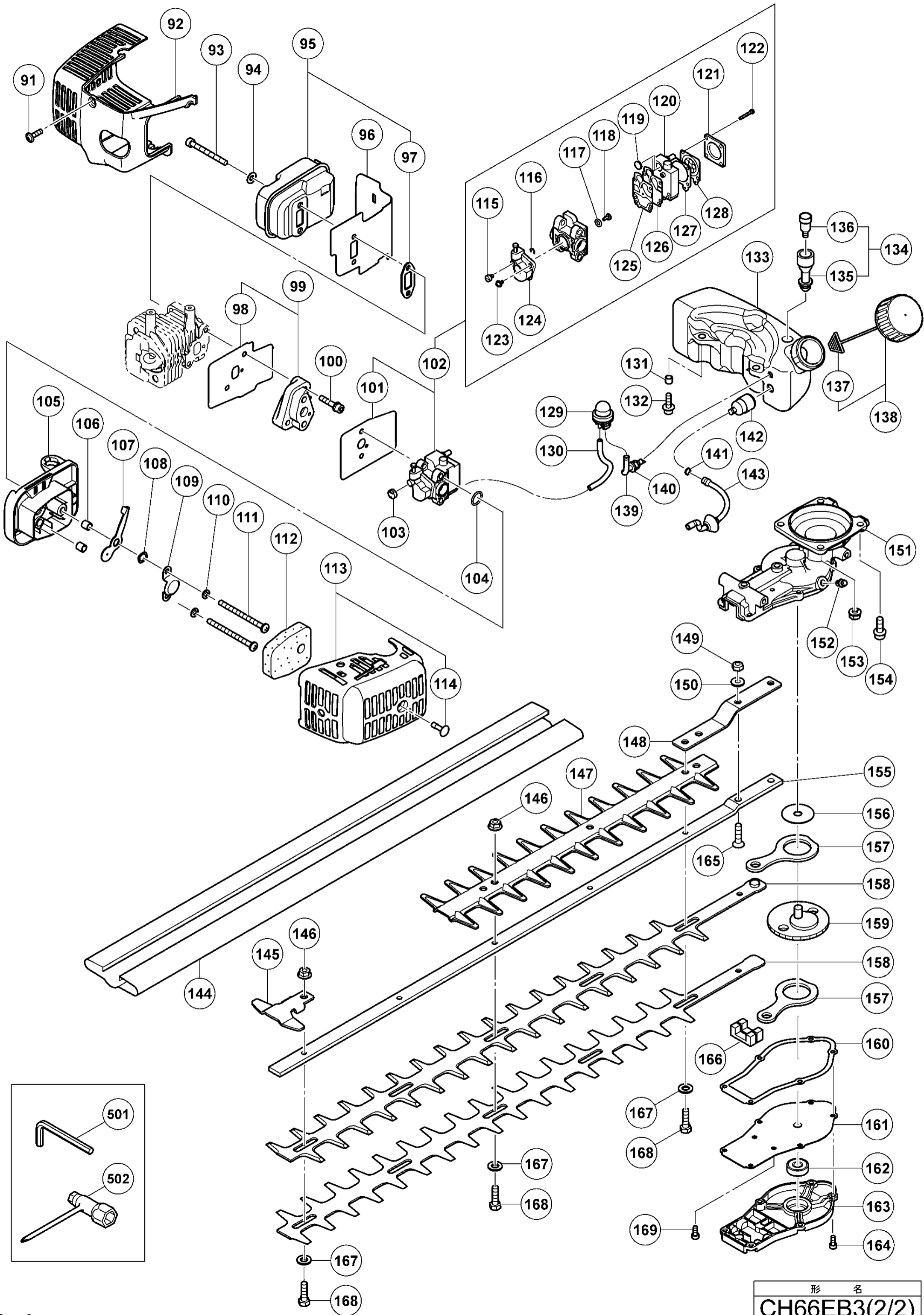


形名
CH66EB3(1/2)



ENGINE HEDGE TRIMMER CH 66EB3

Item No.	Code No.	Description	No. used	Remarks
1	6684597	INSULATOR TUBE 50L	1	
2	6688050	GROMMET	1	
3	6684599	HEX.HOLE BOLT M4X18/WS	2	
4	6688477	CORD	1	
5	6687702	IGNITION COIL COMP.	1	
6	6687918	CORD 200M	1	
7	6687353	IGNITION COIL ASS'Y	1	INCLUD.5,6
*8	6684604	GEAR SHAFT SHIM 0.20	1	
*8	6684605	GEAR SHAFT SHIM 0.30	1	
9	6686208	CRANK SHAFT COMP	1	
10	6686015	PISTON PIN	1	
11	6684586	HEX.HOLE BOLT M5X18/S	2	
12	6685086	SPARK PLUG BPMR6A	1	
13	6687476	SPARK PLUG CAP	1	
14	6685480	CYLINDER ASS'Y	1	INCLUD.15
15	6685744	CYLINDER GASKET	1	
16	6686118	PISTON RING	1	
17	6684590	CIR CLIP	2	
18	6685892	PISTON SET	1	INCLUD.16,17
19A	6698748	HANDLE	1	
20	6695054	HEX. HOLE BOLT 5X40	2	
21	6684834	SPRING WASHER 5	2	
22	6684918	WASHER M5 (BLACK)	2	
23	6695441	BOLT 4X12PS	2	
24	6688494	CLUTCH	1	
25	6688570	CLUTCH DRUM COMP.	1	
26	6695538	BALL BEARING #6002Z, 32MM/OD	2	
27	6695285	STOP RING C-15, OUTER	1	
28	6684786	HEX. SOCKET HD. BOLT M5X30 S	3	
29	6691822	ANTI-VIBE RUBBER	1	
30	6684607	OIL SEAL TB 12227	2	
31	6684608	BALL BEARING 6001 C3	2	
32	6686720	CRANK CASE GASKET	1	
33	6695521	KNOCK PIN 4X12	2	
34	6686771	STUD BOLT 6X22	2	
35	6686574	CRANK CASE ASS'Y	1	INCLUD.30-34
36	6693237	STARTER HANDLE	1	

Item No.	Code No.	Description	No. used	Remarks
37	6693172	ROPE 3X890	1	
38		HITACHI LABEL	1	
39		NAME PLATE	1	
40	6695502	HEX.HOLE BOLT 4X18PS	3	
41	6687014	FAN CASE COMP.	1	
42		CAUTION MARK (A)	1	
43	6684675	RECOIL SPRING	1	
44	6693072	STARTER ROPE REEL	1	
45	6684677	DUMPER SPRING	1	
46	6684678	CAM PLATE	1	
47	6684679	SET SCREW	1	
48	6684685	STARTER PAWL	2	
49	6684684	STARTER PAWL SPRING	2	
50	6684683	STOP RING E-5	2	
51	6684681	STARTER PULLEY ASS'Y	1	INCLUD.48-50
52	6687209	DEFLECTOR	1	
53	6684612	HEX.NUT M8	1	
54	6687396	MAGNETO ROTOR COMP.	1	
55A	6698868	HANDLE A	1	
56	6696350	EARTH TERMINAL	1	
57	696352	TAPPING SCREW D3	3	
58	6696344	TRIGGER LOCKOUT	1	
59	6696345	THROTTLE LEVER SPRING	1	
60	6696355	TAB TERMINAL	2	
61	6684913	SCREW 3X10	1	
62	6688366	BUTTON STOP	1	
63	6694588	STOP BUTTON MARK	1	
64	6696348	SPRING (A)	1	
65	6696346	LOCK LEVER	1	
66	6696349	SPRING (B)	1	
67	6696343	THROTTLE LEVER	1	
68	6696917	CLICK SPRING	1	
69	6696347	RELEASE LEVER	1	
70A	6698828	THROTTLE WIRE	1	
71	6687524	PROTECTION TUBE 150L	1	
72	6696354	STOP SWITCH ASS'Y (A)	1	INCLUD.61-63
73A	6698869	HANDLE B	1	
74	305812	TAPPING SCREW (W/FLANGE) D4X16 (BLACK)	4	

Item No.	Code No.	Description	No. used	Remarks
75	6696363	FRAME	1	
76	6688412	DAMPER B	4	
77	6689680	BRAKE SHAFT WASHER	4	
78	6684786	HEX. SOCKET HD. BOLT M5X30 S	4	
79	6688485	DAMPER COLLAR B	4	
80	6686111	HANDLE SUPPORT COMP.	1	
81	6696359	CLIP	1	
82	6698870	HANDLE A/B SET	1	TILL 09.2011
91	6684636	TAPPING SCREW D4.5X16	1	
92	6692795	MUFFLER PROTECTOR	1	
93	6685114	HEX. SOCKET HD. BOLT M5X50	2	
94	6684661	WASHER 5	2	
95	6692477	MUFFLER ASS'Y	1	INCLUD.97
96	6687252	HEAT SHIELD	1	
97	6692744	MUFFLER GASKET	1	
98	6689891	INTAKE PIPE GASKET	1	
99	6689966	CARB. INSULATOR SET,SPARE	1	INCLUD.98
100	6695515	HEX. HOLE BOLT 5X25WS	2	
101	6689839	CARBURETOR GASKET	1	
*102	6690487	CARBURETOR SET, WYL120	1	INCLUD.101,115-128
*102	6690482	CARBURETOR SET WYL112	1	INCLUD.101,115-128 FOR AUS
103	6684628	SWIVEL CAP	1	
104	6695670	O-RING P-15	1	
105	6690119	CLEANER BODY COMP.	1	
106	6690804	COLLAR 7.5	2	
*107	6691274	CHOKE VALVE	1	
*107	6691272	CHOKE VALVE	1	FOR AUS
108	6684658	WAVE WASHER 8	1	
109	6690843	BLOW OVER CHECK BOARD	1	
110	6684662	S.WASHER 5	2	
111	6684660	SCREW M5X60	2	
112	6690364	CLEANER SPONGE	1	
113	6690415	CLEANER COVER ASS'Y	1	INCLUD.114
114	6689737	SPECIAL SCREW	1	
115	6684697	SWIVEL	1	
116	6684696	STOP RING	1	
117	6684695	O-RING	1	
*118	6691888	MAIN JET #34.5	1	

Item No.	Code No.	Description	No. used	Remarks
*118	6691845	MAIN JET #40	1	FOR AUS
119	6684700	INLET SCREEN	1	
120	6691430	PUMP BODY COMP.	1	
121	6685222	DIAPHRAGM COVER-METERING	1	
122	6691312	SET SCREW	4	
123	6684698	THROTTLE SET SCREW	2	
124	6684883	THROTTLE VALVE	1	
125	6691457	PUMP GASKET	1	
126	6684693	PUMP DIAPHRAGM	1	
127	6685220	DIAPHRAGM PACKING-METERING	1	
128	6690827	METERING DIAPHRAGM COMP.	1	
129	6685139	PRIMING PUMP COMP.	1	
130	6692347	FUEL PIPE 2.5X4X80	1	
131	6692244	COLLAR 5.8	2	
132	6695505	HEX. HOLE BOLT 5X18PS	2	
*133	6696360	TANK	1	
*133	6696361	TANK	1	FOR AUS
134	6691389	AIR VENT ASS'Y	1	INCLUD.135,136 FOR AUS
135	6691395	AIR VENT PIPE	1	FOR AUS
136	6692171	AIR VENT VALVE ASS'Y	1	FOR AUS
137	6684625	TANK CAP CHAIN	1	
*138	6691763	TANK CAP D ASS'Y, BLACK	1	INCLUD.137
*138	6691714	TANK CAP ASS'Y	1	INCLUD.137 FOR AUS
139	6692346	FUEL PIPE 2.5X4X70	1	
140	6684627	RETURN GROMMET	1	
141	6684619	CLIP,6.3 DIA.	1	
142	6684620	PUMP FILTER BODY COMP.	1	
143	6685247	SHIELD TUBE	1	
144	6687302	CUTTER COVER	1	
145	6687275	GUARD PLATE	1	
146	6695170	FLANGE NUT 6	4	
147	6687285	PROTECTION PLATE	1	
148	6690762	SUPPORT PLATE	1	
149	6695175	LOCK NUT 6 UPS-P	3	
150	6684639	BOLT WASHER 6	3	
151	6688684	GEAR CASE COMP.	1	
152	6688643	GREASE NIPPLE COMP.	1	
153	6695475	SPRING NUT 6	2	

Item No.	Code No.	Description	No. used	Remarks
154	6695495	HEX. HOLE BOLT 6X18/S	2	
155	6687147	CUTTER GUIDE 734L M6	1	
156	6686612	GUIDE PLATE	1	
157	6686811	CAM ROD	2	
158	6687086	CUTTER A (696.5L)	2	
159	6688625	GEAR 2 COMP.	1	
160	6688909	GEAR CASE GASKET	1	
161	6692101	GEAR CASE COVER	1	
162	6695547	BALL BEARING 608 ZZ C3	1	
163	6688846	GEAR CASE B	1	
164	6684595	HEX. SOCKET HD. BOLT (W/SP.WASHER) M4X12	6	
165	6695075	HEX. HOLE FLUSH BOLT 6X25	2	
166	6686654	GREASE SEAL A	2	
167	6687187	WASHER 7 BLACK	5	
168	6687158	FIXING BOLT A M6	5	
169	6695484	HEX. HOLE BOLT 4X10S	2	
		STANDARD ACCESSORIES		
501	6684813	HEX. BAR WRENCH 4MM	1	
502	6685997	COMBI. BOX SPANNER 10X19 ,PLUS	1	