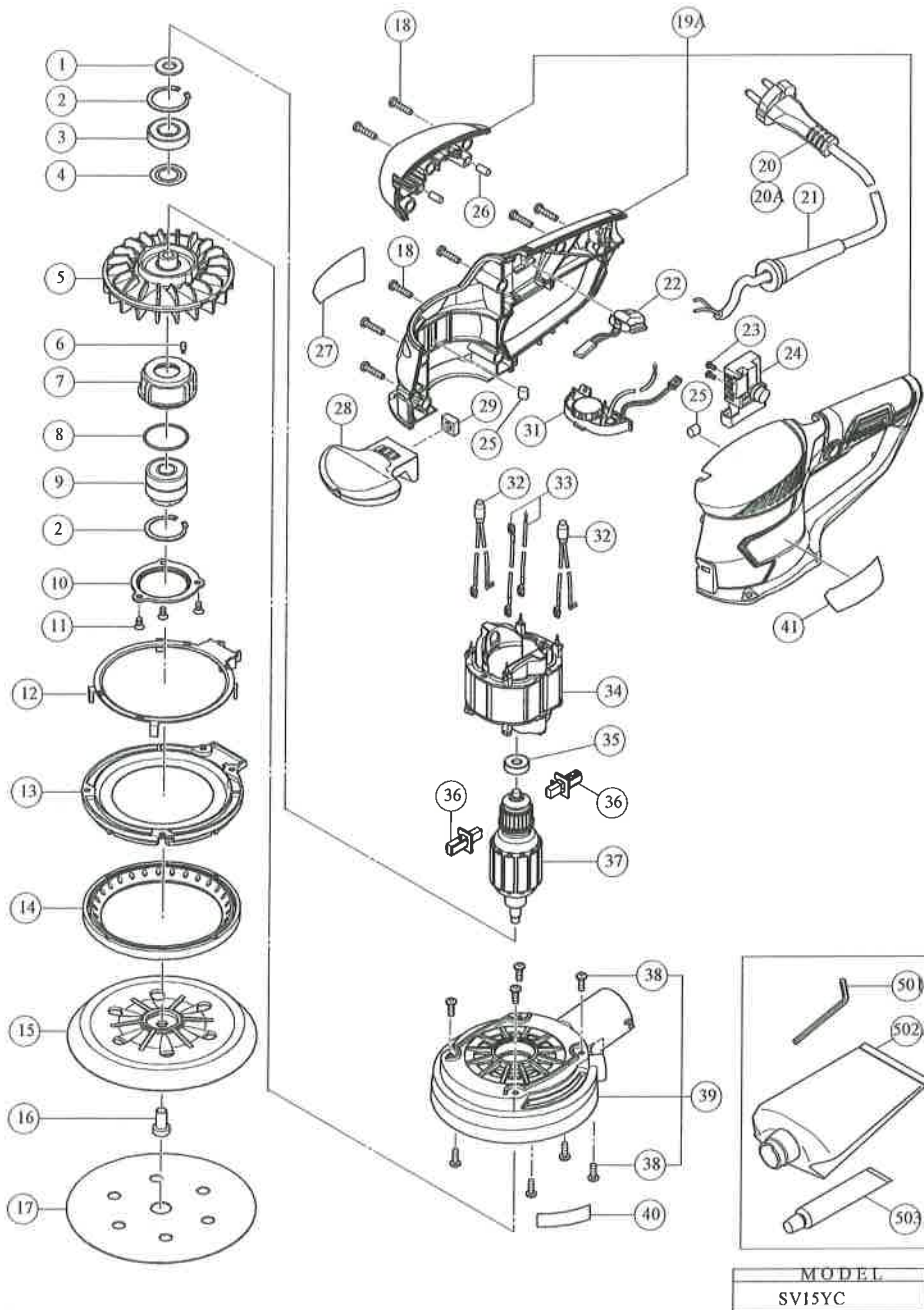


ORBITAL SANDER SV15YC

Seite :1/1



Rev.4

1	371825	...		WASHER	1
2	371826	...		RETAINING RING	2
3	371827	...		BALL BEARING 15X32X9	1
4	371828	...		DUST WASHER	1
5	371829	...		FAN	1
6	371830	...		INDEX BOLT	1
7	371831	...		BEARING HOLDER	1
8	371832	...		O-RING	1
9	371833	...		CARRIER	1
10	371834	...		RETAINING SHEET	1
11	371835	...		TORX FLAT SCREW M4	3
12	371836	...		BAFFLE	1
13	371837	...		FAN GUIDE	1
14	371838	...		BRAKE RING	1
15	371839	...		PAD	1
16	371840	...		HEX. SOCKET HD. BOLT M8	1
17		...	SANDING PAPER 1	SANDING PAPER 150MM AA	1
18	371241	...		TAPPING SCREW ST4.2X19	9
19A	371846	...		HOUSING SET	1
*20	371869	...		CORD (EUROPE)	1
21	371272	...		CORD ARMOR	1
22	371848	...		TURBO BOOST SWITCH	1
23	371853	...		FILLISTER HD. SCREW M3	2
24	371854	...		SWITCH	1
25	371849	...		BB RUBBER PLUG	2
26	371251	...		RUBBER	2
27		...	NAME PLATE	NAME PLATE	1
28	371850	...		SIDE HANDLE	1
29	371851	...		SQUARE NUT	1
*31	371844	...		CONTROLLER	1
32	371841	...		CHOKE COIL	2
33	371842	...		INTERNAL WIRE SET	1
*34	371856	...		STATOR	1
35	371857	...		BALL BEARING 6X19X6	1
*36	371859	...		CARBON BRUSH (1 PAIR)	2
*37	371861	...		ARMATURE	1
38	371862	...		TORX SCREW M4	8

39	371863	...		BEARING FLANGE ASS'Y	1	INCLUD.38
40	371864	...		INDICATION LABEL	1	
41		...	BRAND LABEL	BRAND LABEL	1	
		...	STANDARD ACCES	STANDARD ACCESSORIES		
501	944459	...	INBUSSCHLÜSSEL	HEX. BAR WRENCH 5MM	1	
502A	373748	...		DUST BAG	1	
503	371872	...		GREASE SF 016 50G		